

# BUILD-YOUR-OWN ACORN ASSEMBLY SUMMARY SHEET

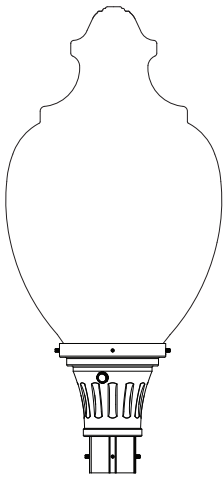
OM-70-3K-MO-CF8-PC-BL-OLS-1-A1-LD-8F  
OMNIMAX + BASE + GLOBE

## OM-70-3K-MO-CF8-PC-BL-OLS-1-A1-LD-8F

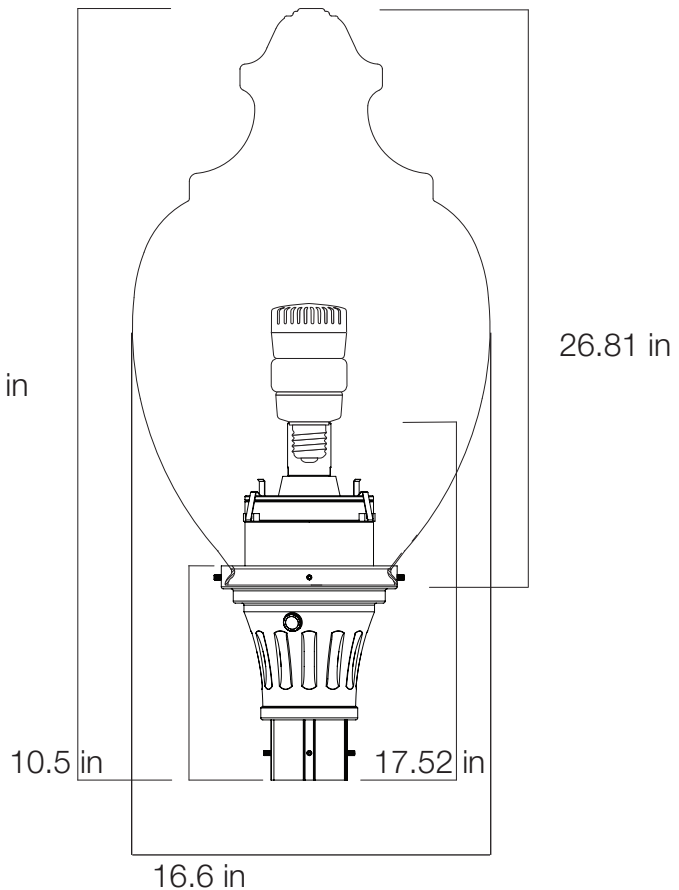
Specification summary sheet for custom assembly. For more details please reference data sheets for each individual product.

**OM-70-3K-MO**  
**CF8-PC-BL**  
**OLS-1-A1-LD-8F**

OmniMax, 70w, 3000K CCT, mogul base  
8 inch capitol fitter, no photocontrol, black  
8 inch neck globe, style 1A in LD acrylic



37.31 in



### Warranty

The base, capital fitter CF8, has a 5-year warranty on the finish. Evluma warrants that polycarbonate or acrylic products shall be free from workmanship defects for five years from date of purchase. Acrylic globes are warranted for 5 years against yellowing. Polycarbonate products are not warranted for yellowing over time. The OmniMax and all electronics, including the capital's optional photocontrol are warranted for 10 years.

# BUILD-YOUR-OWN ACORN ASSEMBLY SUMMARY SHEET

OM-70-3K-MO-CF8-PC-BL-OLS-1-A1-LD-8F  
OMNIMAX + BASE + GLOBE

## OM-70-3K-MO



This model is listed on the DLC 5.1 QPL and may be eligible for rebates.

CRI > 80

Source lumens > 8700 lm/W > 125

### Certification Data

UL 1598 & UL1598C MET  
ANSI C136.31 3G Level 2  
Vibration Bridge/Overpass

### Energy Data

120-277 VAC 50/60hz  
Power Factor >98%  
THD <18% at 120 VAC

### Construction & Finish

White Valox DR48 molded resin.  
Flexible PCB light engine wrapped  
around aluminum heatsink.

### Optical (lens)

Molded silicone lens with matte finish  
over radial LED light source for maximum  
light diffusion and no discoloration.

### Electrical

Evluma proprietary dimmable driver.  
120-277 VAC 60 Hz. High capability  
surge protection for 20kV/10kA per  
IEEE/ANSI C62.41.2-2002. Location  
Category C-High.

### Thermal Management

The OmniMax uses a network of  
temperature compensating components  
paired with a custom light engine and  
housing design to maximize cooling and  
maximize lumen output. The OmniMax  
also uses a brushless fan with an  
accelerated life of > 90,000 hours.

### Installation

The OmniMax is an easy-to-install,  
screw-in replacement lamp for HID light  
sources. Suitable for damp locations  
within an enclosed luminaire. Light-  
weight design suitable for horizontal and  
vertical installation.

## CF8-PC-BL

### Construction & Finish

Fitter is cast aluminum with a ceramic  
mogul (E39) socket. Paint is a durable,  
electrostatically applied Tiger Drylac  
polyester powder coat that has excellent  
weather and UV resistance. Meets  
and exceeds AAMA 2604 standards.  
Fasteners are stainless steel. Fits 3" and  
4" poles. Sold as a single unit.

## OLS-1-A1-LD-8F

### Size

OLS-1-A1 is a tall 26.81h x 16.60w  
acorn globe with an 8 inch neck.

### Material

Acrylic globes stay sparkling even after  
prolonged use. Exceptionally resistant to  
weathering and aging, including damage  
from UV, acrylic is also impact resistant.  
Maximum working temperature should  
not exceed 90°C (194°F). Optical  
transmission up to 92%. Available in  
white or clear.

### Optics

Non-prismatic.

**Please visit [evluma.com](http://evluma.com)  
to download the available  
additional information for the  
individual components of this  
custom assembly.**

# BUILD-YOUR-OWN ACORN ASSEMBLY SUMMARY SHEET - IMAGES

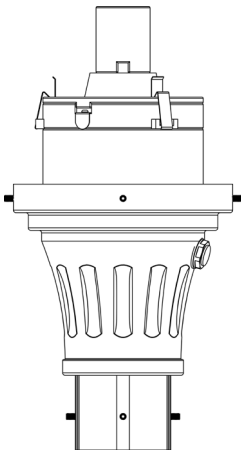
OM-70-3K-MO-CF8-PC-BL-OLS-1-A1-LD-8F  
OMNIMAX + BASE + GLOBE



OLS-1-A1-LD-8F



OM-70-3K-MO



CF8-PC-BL